

QUADRA

technical specifications

224 100 xxx

Single handle low profile lavatory faucet



CIFIAL

COMPLETE **BATH** SOLUTIONS

CIFIAL – Torneiras, S.A.
Apartado 413
4524-907 Riomeão
PORTUGAL
40° 57' 29.20" N
8° 35' 11.40" W
Tel: +351 256 780 100
Fax: +351 256 783 395
comercial.torneiras@cifial.pt
www.cifial.pt

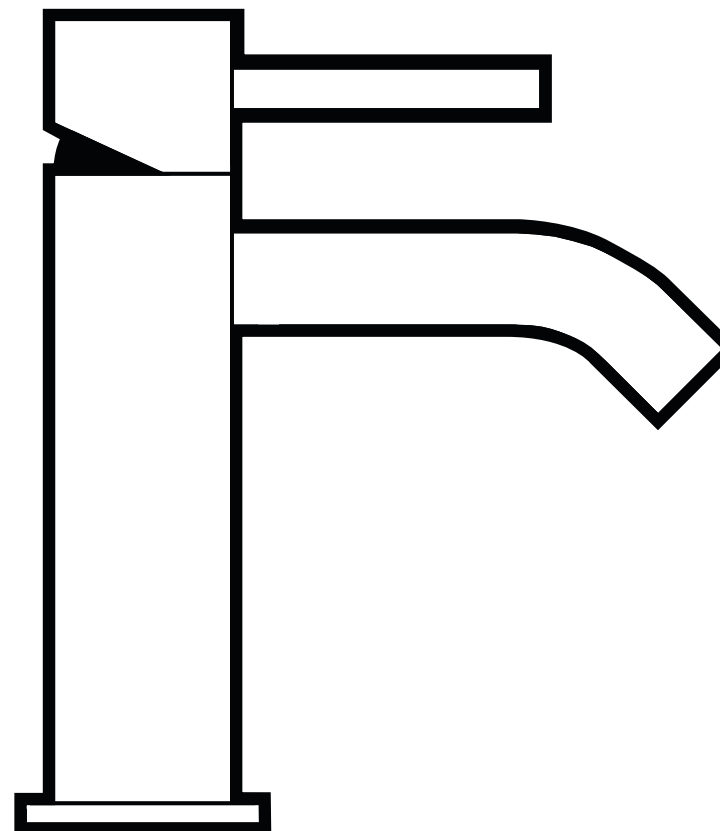
CIFIALdecor, S.A.
C/ Uranio 3
Pol. Ind. San José de
Valderas
28918 Leganes, Madrid
ESPAÑA
Tel: +34 916 110 261
Fax: +34 916 103 694
cifial@cifial.es

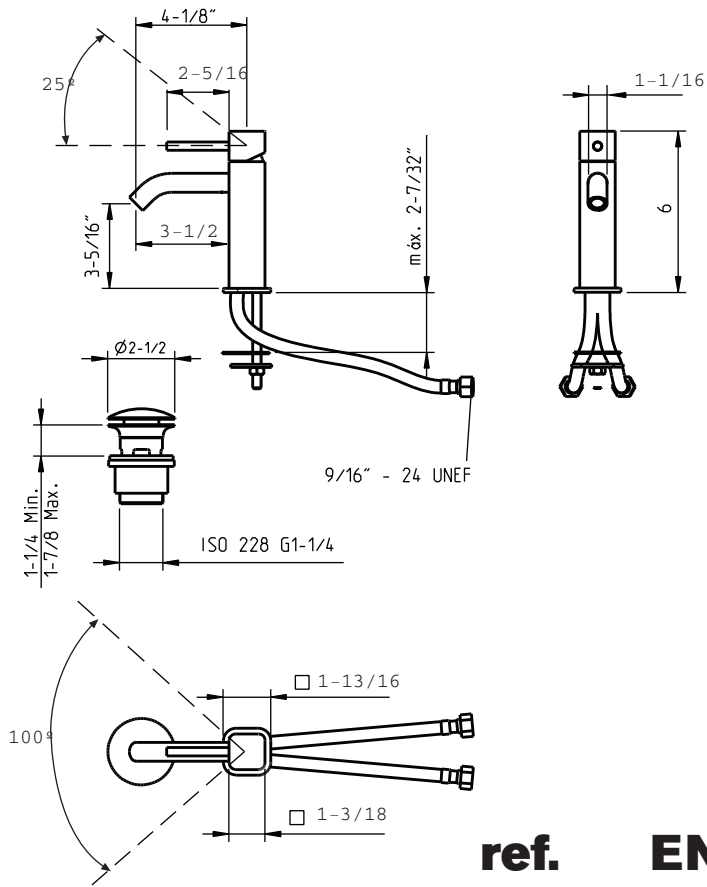
CIFIAL UK, Ltd.
7 Faraday Court, Park Farm
Industrial Estate, Wellingbor-
ough, Northants NN8 6XY
UK
Phone: +441 933 402 008
Fax: +441 933 402 063
sales@cifial.co.uk
www.cifial.co.uk

CIFIAL USA
6540 Peachtree Industrial Blvd.
Suite A
Norcross, GA 30071
USA
Tel: +1 800 528 4904
Fax: +1 800 528 1969
www.cifialusa.com

CIFIAL Polska sp. z o.o.
ul. Macieja Rataja 12
05-070 Sulejów
Warsaw
POLAND
Tel: +48 22 7831699
Fax: +48 22 783 15 09
cifial@cifial.pl
www.cifial.pl

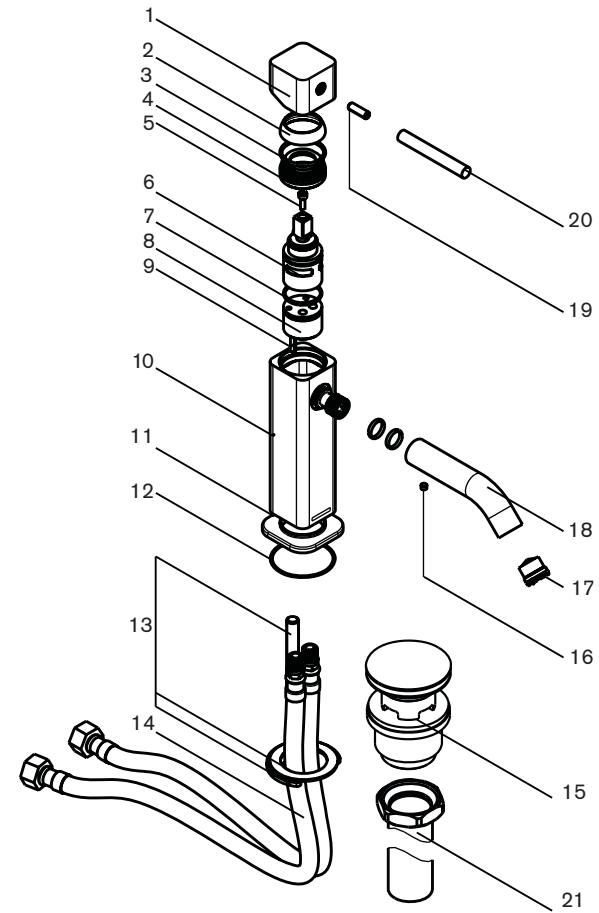
5663978 / 9830D00W04





ref. EN

| | | |
|----|-------------|----------------------------------|
| 1 | 3411071-xxx | lever |
| 2 | 3400246-xxx | domed collar |
| 3 | 5610260-200 | o-ring |
| 4 | 5712158 | nut |
| 5 | 5020274 | screw |
| 6 | 5711035 | ceramic cartridge |
| 7 | 5310220-150 | o-ring |
| 8 | 3300570 | valve housing |
| 9 | 5745030i014 | spring-type straight pin slotted |
| 10 | 3320123-xxx | spout assembly |
| 11 | 3447124-xxx | spout base |
| 12 | 5310380-150 | o-ring |
| 13 | 5710241 | fixing set |
| 14 | 5700120 | flexible hose (x2) |
| 15 | (*1) | slotted clic-clac waste assembly |
| 16 | 50030M40040 | set screw (x2) |
| 17 | 5713132 | aerator |
| 18 | 330090-xxx | spout |
| 19 | 5020240 | grub screw |
| 20 | 340087-xxx | lever handle extension |
| 21 | (*) | slotted clic-clac waste tube |



5663978 / 9830D000W04

hole diameter - 1-1/4"

(*1) 5710018 (625) / 3620030-xxx (other finishes)

(*1) 5710820 (625) / 3620275-xxx (other finishes)

dimensions inches

note: xxx stands for different finishes